

SOFTWARE-DEFINED VEHICLES

KDT JU Focus on Software-defined vehicle platforms

AUTOMOBILES ARE SMALL DATA CENTERS

NVIDIA's GPUs and DPUs are core to new generation automobiles

How to transfer the networking technologies on-board?

Mercedes-Benz, NVIDIA Partner to Build the World's Most Advanced, Software-Defined Vehicles

Automaker's fleet to become perpetually upgradeable, backed by teams of software engineers and AI experts, starting in 2024.

June 23, 2020 by DANNY SHAPIRO

Connectivity

Networking and storage offloads

Security offloads

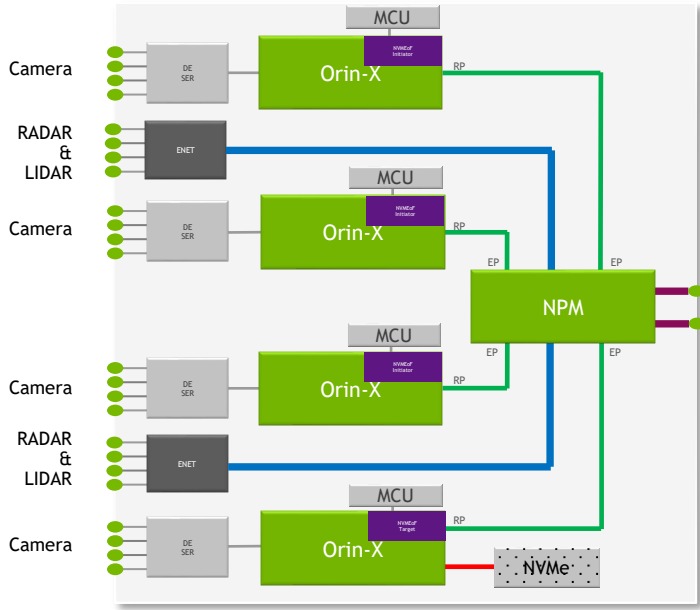
Time synchronization offloads

NVIDIA's experience in ECSEL/KDT: MADEin4, HiConnects, MATQu, BRAINE, CLEVER (w/ BMW)

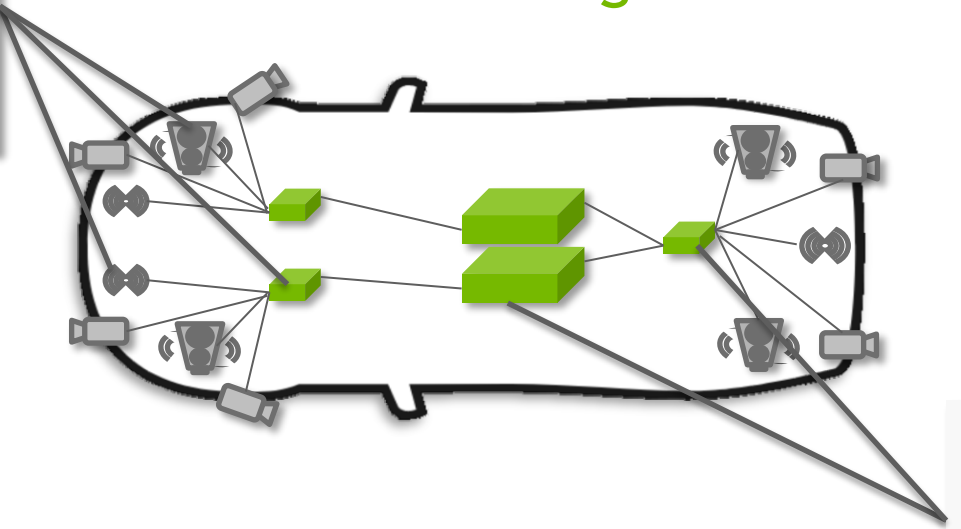
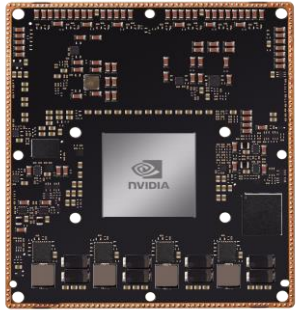
+5000 employees in the EC - strong focus on networking and servicing the automobile sector

- ▶ Spoofing of messages or data
- ▶ Session hijacking replay attack
- ▶ Denial of Service
- ▶ Malicious messages
- ▶ Elevation of privilege

- ▶ Manipulation of data and code
- ▶ Compromised OTA updates
- ▶ Physical Attack



Legend (interconnect):
 PCIe Gen4 x4: Eth + RDMA
 Ethernet 10G: Eth + RDMA
 ETH 10G



Looking forward contributing to this field with our vision

juanj@nvidia.com